



CrossFire LP

POWERED BY SUNWAVE

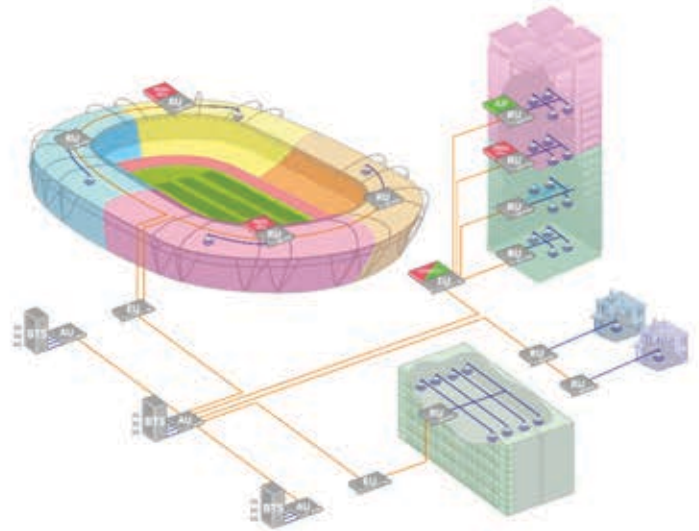
A revolution in RF Transport for
In Building Wireless



LOW RF POWER OPTICAL HETEROGENEOUS NETWORK

Cellular + Gigabit Ethernet Transport System
MULTI CARRIER | MULTI TECHNOLOGY



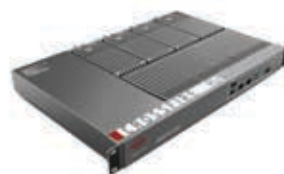
The CrossFire LP HetNet Active System by Zenic8 is full feature Digital Distribution technology with support for all globally-used cellular bands, plus an integrated Gigabit Ethernet system. The system is capable of supporting CPRI, Small Cell, IPv6 connectivity allowing cost effective delivery of next generation wireless technologies. With the low power (+27dBm Composite per cellular band), the flexibility to dynamically manage capacity gives the mobile carriers and their clients the ability to deliver world-class high speed wireless services in areas where the demand exists. The plug-and-play approach with discrete cellular bands provides total flexibility for configuring and upgrading the system to support up to 12 bands in SISO or MIMO formats across any bands. The CrossFire LP HetNet Active System supports both FDD and TDD modulation schedules. This product is unmatched in capability and represents a true Heterogeneous Network.

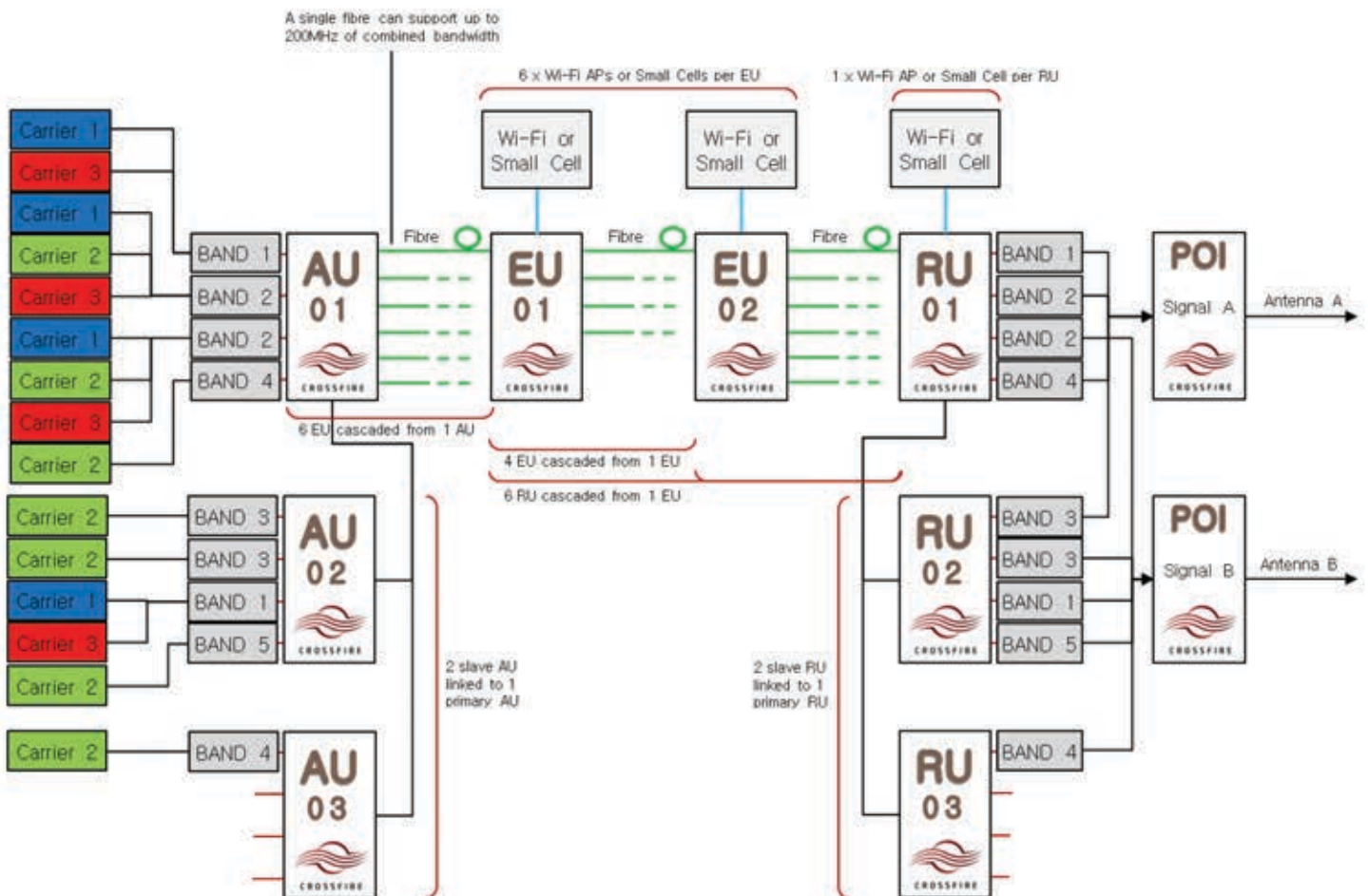


- Full Digital Distributed Antenna System
- Supports Multi Wireless Protocols, 2G/3G/4G MIMO, etc
- Modular Structure, Easy to Upgrade/Replace
- Low Output Power, +27dBm for each Band
- Up to 12 discrete Bands on a single system
- Supports WiFi and Gigabit Ethernet access
- Flexible Expansion, Supports Small Cell access
- Standard SNMP NMS interface, Easy to Operate and Monitor

CrossFire LP

LOW RF POWER OPTICAL
HETEROGENEOUS NETWORK
Cellular + Gigabit Ethernet

ACCESS UNIT (AU)	EXPANSION UNIT (EU)	REMOTE UNIT (RU)
		
The AU provides coupling access to radio signal sources of multi-operator, multi-system and multi-band, forming digital optical signals and distributing to Expansion Units (EU). One AU supports up to 6 optical interfaces connected to EUs.	The EU provides backhaul to Wi-Fi Access Points and/or Small Cells, framed with the optical signals from the AU, and distributes the combined signals to Remote Units (RU). Supports up to 18 optical interfaces connected to RUs.	The RU received signals from an EU or superior RU then converts the digital signal to RF signals of 2G/3G/LTE and backhaul signals for Wi-Fi and/or Small Cells. Indoor and Outdoor models available.
<ul style="list-style-type: none"> Connect up to 12 discrete bands from different signal sources Support a variety of application scenarios Quick installation and easy maintenance 	<ul style="list-style-type: none"> Support up to 8 EUs cascading. Up to 6 Gigabit Ethernet interfaces for backhaul to Wi-Fi or Small Cells Flexible cell splitting, supports different architectures for various systems. 	<ul style="list-style-type: none"> Support up to 3 RUs cascading. Green design (low power consumption) Low power transmission to reduce PIM issues Plug-and-play functions



ZENIC8 RESERVES THE RIGHT TO CHANGE SPECIFICATIONS WITHOUT PRIOR NOTICE
EDITION: 15-01